



# PARS LENT

BRAKE PADS

**PL 21051**

WVA No. : 21051

THK : 15.5mm

**CHEVROLET**

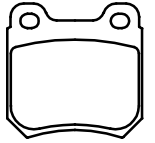
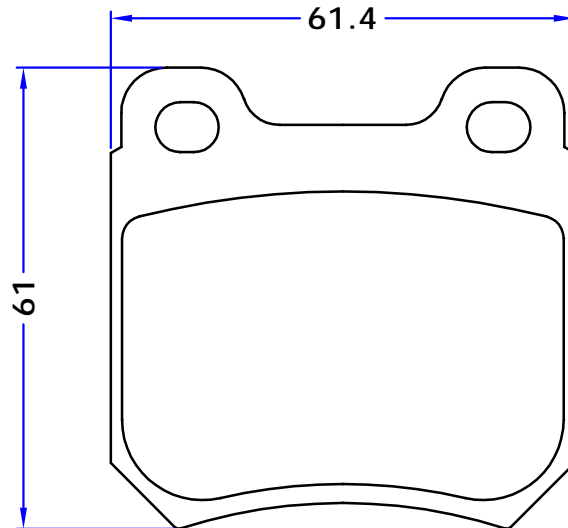
VECTRA, 03/96 -

**OPEL**

OMEGA A (16\_, 17\_, 19\_), 09/86 - 05/94

**VAUXHALL**

CARLTON Mk III, 09/86 - 03/94



TEVES



**OE REF:**

**OPEL**

1605924

90487271

90540177

**VAUXHALL**

1605617

93169000

4 PIECES

[WWW.PARSLENT.COM](http://WWW.PARSLENT.COM)