



PARS LENT

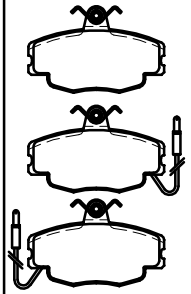
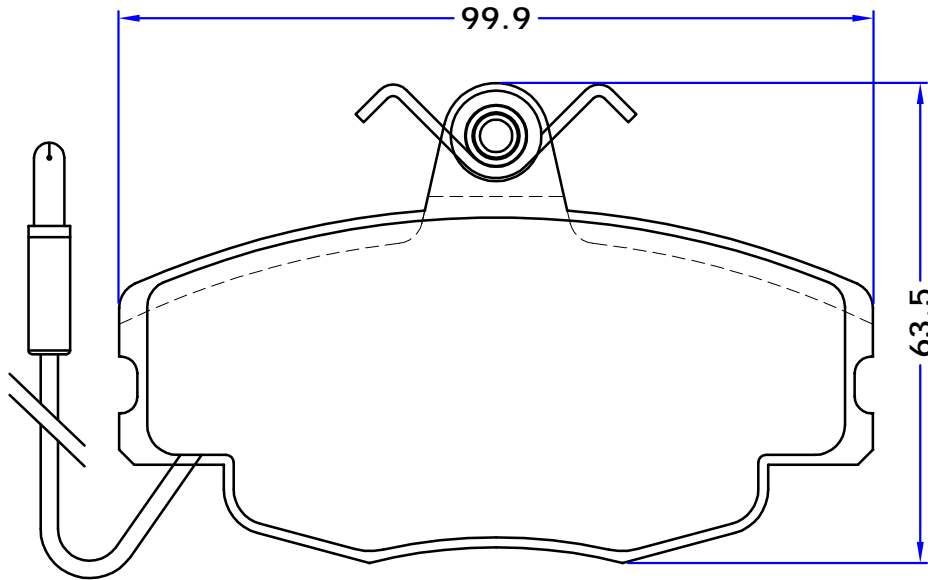
BRAKE PADS

PL 20937

WVA No. : 20937 & 20772

THK : 18.2 mm

PEUGEOT (205 I, 305 II, 309 I / RENAULT Clio I, Espace I, Fuego, R5, R9, R11, R18, R19, R20, R21, R25)
RENAULT



LUCAS



- 2 PIECES WITHOUT WEAR INDICATOR WIRE
- 1 PIECE WITH RIGHT WEAR INDICATOR WIRE
- 1 PIECE WITH LEFT WEAR INDICATOR WIRE

WWW.PARSLENT.COM