



# PARS LENT

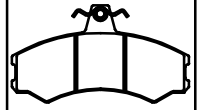
BRAKE PADS

**PL 20741-1**

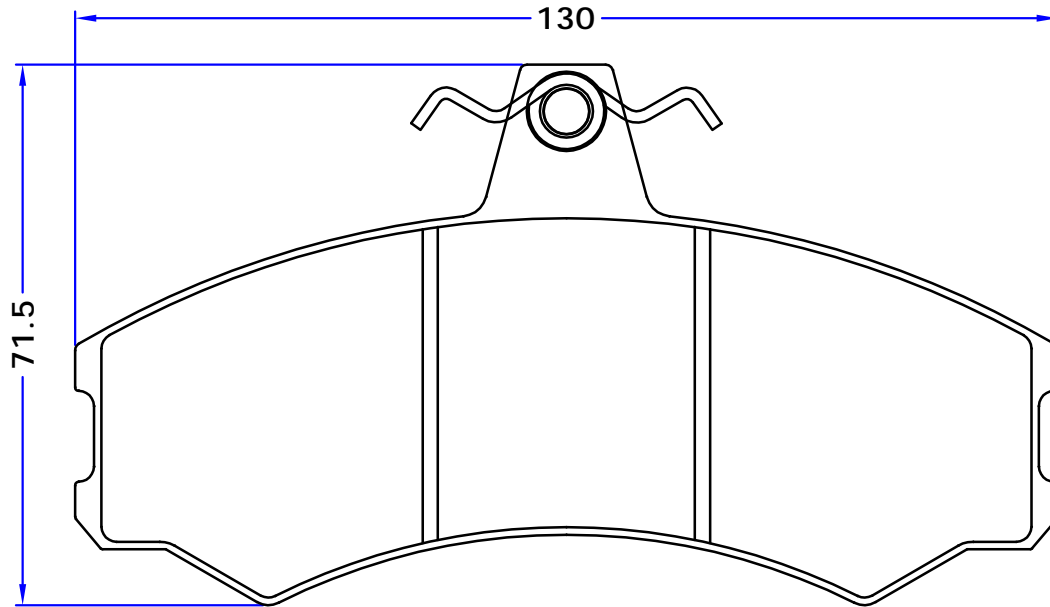
WVA No. : 20741

THK : 15 mm

**IVECO**  
MASSIF Pickup, 10/08 -  
MASSIF Single Cab, 10/08 -  
MASSIF Station Wagon, 10/08 -  
**SANTANA**  
PS10/ANIBAL, 03/03 -  
PS10/ANIBAL Pickup, 12/02 - 02/11



LUCAS



4 PIECES

**OE REF:**  
**IVECO**  
500028835  
500029493

A850092003

[WWW.PARSLENT.COM](http://WWW.PARSLENT.COM)