



# PARS LENT

## BRAKE PADS

**PL 20731**

WVA No. : 20731

THK : 15.2 mm

**BEDFORD**

RASCAL Box, 06/86 - 06/90  
 RASCAL Bus, 06/86 - 06/90  
 RASCAL Pickup, 06/86 - 06/90  
 RASCAL Platform/Chassis, 07/86 - 06/90

**DAEWOO (DAMAS)**

**HOLDEN (SCURRY Bus (NB))**

**HONDA**

CIVIC II Hatchback (SS, SL), 01/78 - 12/83  
 CIVIC Saloon (SF), 10/79 - 12/84

**MARUTI (800, UDYOG)**

**SUZUKI**

ALTO, 09/85 - 11/93  
 ALTO (CM11, CL11, CP11, CN11, CP21, CN21, CM21, CL21, CS22,, 12/88 - 08/94  
 ALTO (HA11), 09/94 - 06/02  
 ALTO (SS80), 06/82 - 12/85  
 CARRY Pickup, 07/85 - 12/90  
 SUPER CARRY Bus (ED), 07/85 - 03/99

**VAUXHALL**

RASCAL Bus, 07/86 - 08/93  
 RASCAL Pickup, 07/86 - 08/93

5521085000  
 5521085000000  
 5521085200000  
 55210M84500  
 55210M84520  
 55210M84550  
**TRIUMPH**  
 GBP264  
 GBP269  
**VAUXHALL**  
 91144333

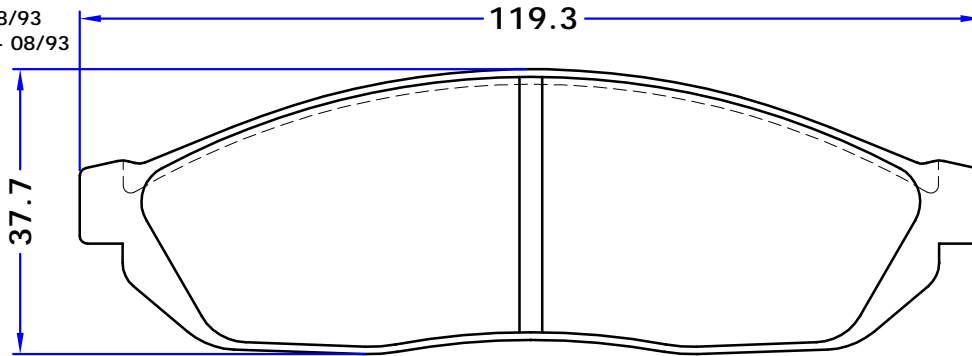


SUMITOMO



**OE REF:**

**BEDFORD**  
 5521078  
**HONDA**  
 45022SA0660  
 45022SA0670  
 45022SA0771  
 45022SA0999HE  
 45022SA0N50  
 45022SA0N51  
 45022SA0N52  
**SUZUKI**  
 5512078460  
 5520056850000  
 5520056851000  
 5520056852000  
 5520060B50000  
 5520070820  
 5520070820000  
 5520070860  
 5520070860000  
 5520070861  
 5520070862  
 5521056A50  
 5521056A50000  
 5521078450000  
 5521078460  
 5521078460000  
 5521084500



4 PIECES

[WWW.PARSLENT.COM](http://WWW.PARSLENT.COM)