



PARS LENT

BRAKE PADS

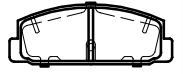
PL 20645

WVA No. : 20645

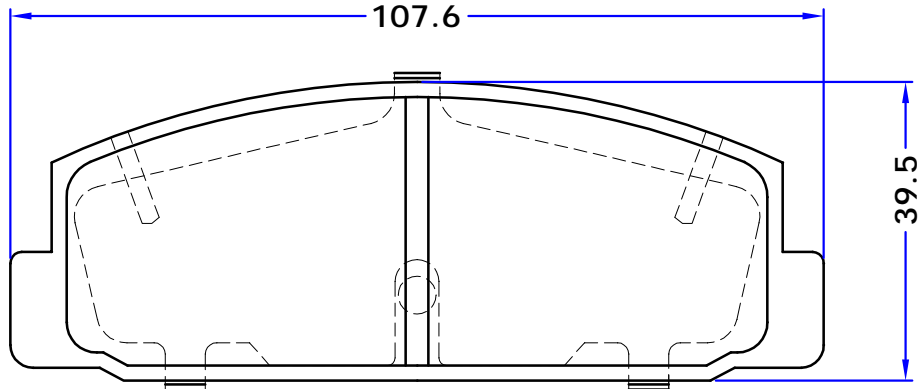
THK : 13.2 mm

MITSUBISHI

- GALANT Mk II (A16_), 09/80 - 05/84
- GALANT Mk II Estate (A16_V), 09/80 - 05/84
- LANCER (A17_), 09/79 - 02/83
- SAPPORO Mk II (A16_A), 08/80 - 09/84
- SAPPORO (A12_), 04/78 - 07/80
- STARION (A18_A), 05/82 - 06/90
- ASA (BESTURN)



Akebono



OE REF. :
MITSUBISHI

- MB058917
- MB150674
- MB150958
- MB238250
- MB238493
- MB377825
- MB618109
- MB895162
- MR389560

4 PIECES

WWW.PARSLENT.COM