



PARS LENT

BRAKE PADS

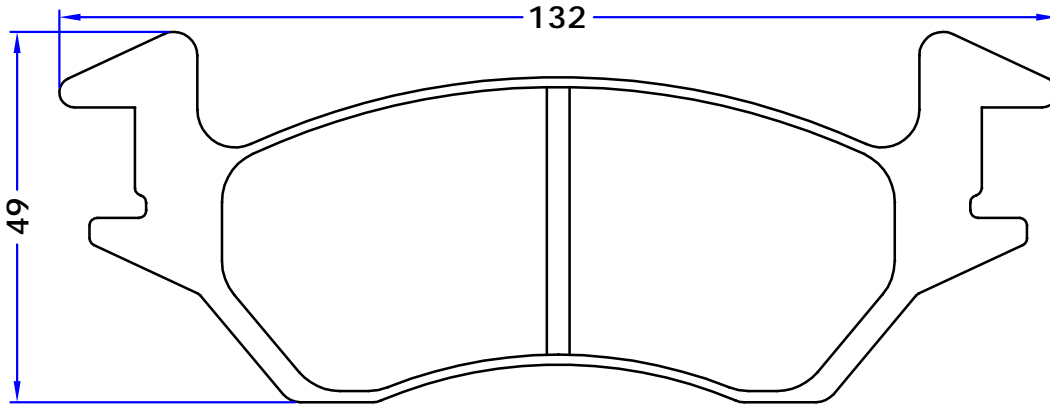
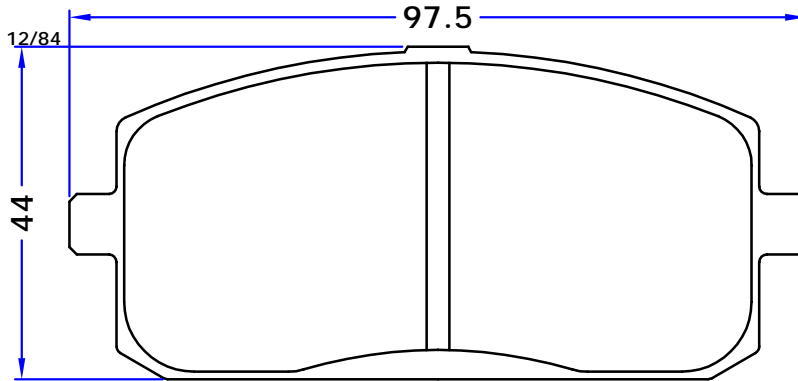
PL 20605

WVA No. : 20605

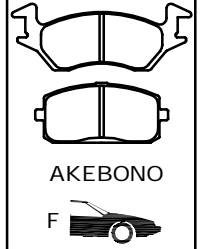
THK : 13.5 mm

TOYOTA

STARLET (_P7_), 10/84 - 12/89
STARLET (KP6_), 02/78 - 12/84
STARLET Estate (KP6_), 02/78 - 12/84



2 INNER PIECES
2 OUTER PIECES



AKEBONO

F

**OE REF:
TOYOTA**

- 0446510060
- 0446510180
- 0449110030
- 0449110040
- 0449110041
- 0449110042
- 0449110043
- 0449110101
- 0449116010

WWW.PARSLENT.COM