



PARS LENT

BRAKE PADS

PL 20455

WVA No. : 20455

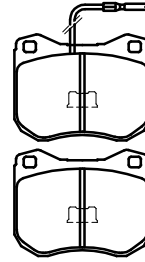
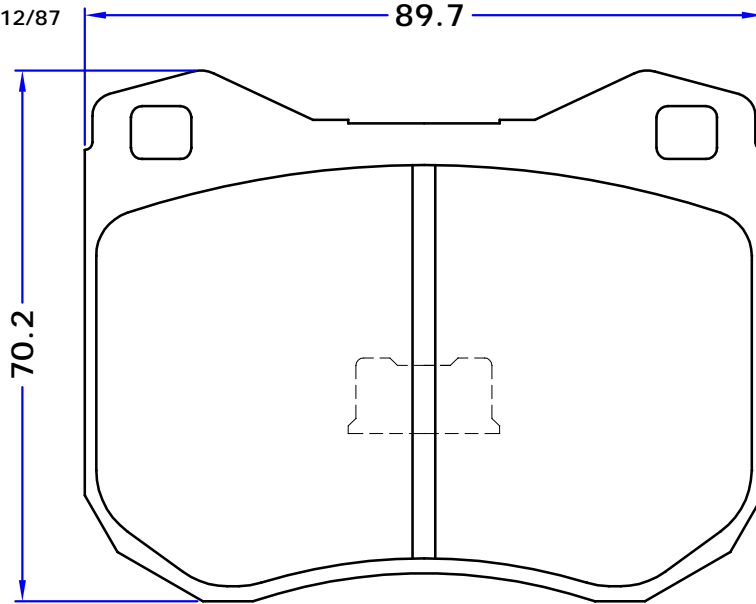
THK : 19 mm

PEUGEOT

- 504 Pickup (E_), 01/80 - 12/89
- 505 (551A), 05/79 - 12/93
- 505 Break (551D), 04/82 - 12/93
- 604 (561A_), 08/77 - 07/87

TALBOT

- TAGORA, 06/80 - 12/87



TEVES



**OE REF:
CITROËN**

- 424516
- 424816
- 424834
- 424835
- 424882
- 425016
- 425020
- 425022
- 425024
- 425026

PEUGEOT

- 424516
- 424584
- 424816
- 424818
- 424832
- 424834
- 424835
- 424858
- 424882
- 425016
- 425020
- 425022
- 425024
- 425026
- 425040

2 PIECES WITH WEAR INDICATOR WIRE
2 PIECES WITHOUT WEAR INDICATOR WIRE

WWW.PARSLENT.COM