



# PARS LENT

## BRAKE PADS

**PL 20392**

WVA No. : 20392

THK : 18.5 mm

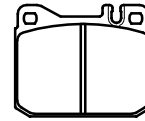
**MERCEDES BENZ**

/8 (W114), 01/68 - 11/76  
 /8 (W115), 01/68 - 01/77  
 /8 Coupe (W114), 04/69 - 02/77  
 COUPE (C123), 03/77 - 12/85  
 KOMBI Estate (S123), 09/77 - 12/85  
 S-CLASS (W116), 08/72 - 07/80  
 Saloon (W123), 01/76 - 12/85  
 SL (R107), 05/71 - 09/89  
 SL Coupe (C107), 01/72 - 09/81

**VOLKSWAGEN**

LT 28-35 I Bus (281-363),  
 LT 28-35 I Box (281-363),  
 LT 28-35 I Flatbed / Chassis (281-363),  
 LT28-50 Box (281-363),  
 LT28-50 Bus (281-363) ,  
 LT28-50 Flatbed / Chassis (281-363),  
 LT 40-55 I Box (291-512),  
 LT 40-55 I Flatbed / Chassis (293-909))

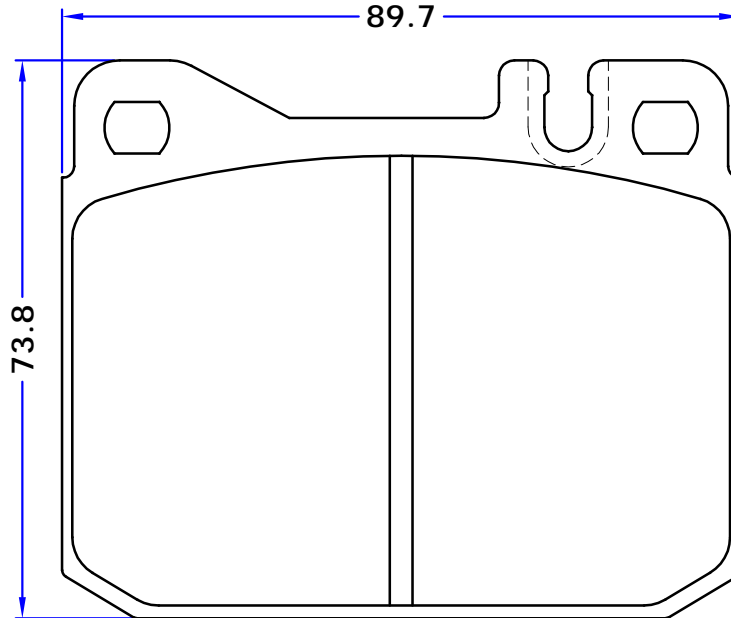
TEVES



A0015861842  
 A0015863242  
 A0015863342  
 A0015863642  
 A0015868242

**OE REF:  
 MERCEDES-BENZ**

0004206320  
 0004206420  
 0004206520  
 0004206820  
 0005867542  
 0005868042  
 0014205420  
 0014206320  
 0014207820  
 0014209220  
 0015860442  
 0015860542  
 0015861842  
 0015863242  
 0015863342  
 0015863642  
 0015868242  
 A0004206320  
 A0004206420  
 A0004206520  
 A0004206820  
 A0005867542  
 A0005868042  
 A0014205420  
 A0014206320  
 A0014207820  
 A0014209220  
 A0015860442  
 A0015860542



2 PIECES WITH WEAR INDICATOR WIRE  
 2 PIECES WITHOUT WEAR INDICATOR WIRE

[WWW.PARSLENT.COM](http://WWW.PARSLENT.COM)