



PARS LENT

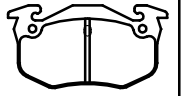
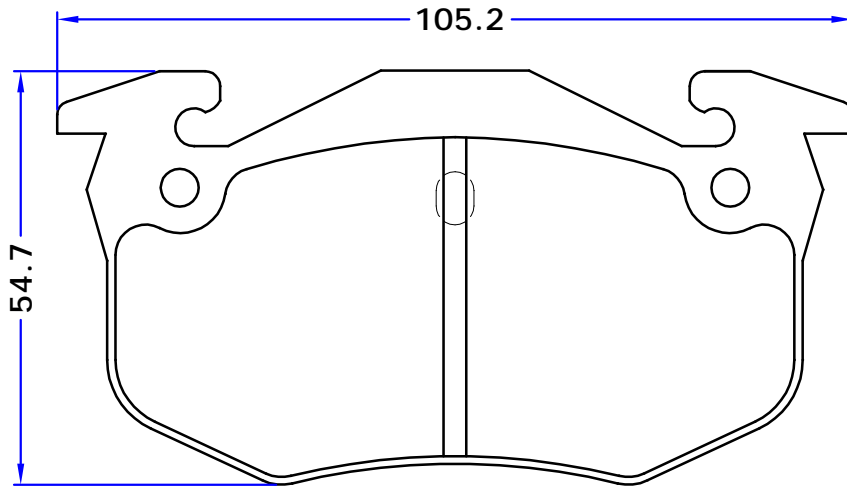
BRAKE PADS

PL 20315

WVA No. : 20315

THK : 14.5 mm

RENAULT



2X L=210 mm.



SUMITOMO



2 PIECES WITH WEAR INDICATOR WIRE
2 PIECES WITHOUT WEAR INDICATOR WIRE

WWW.PARSLENT.COM