



# PARS LENT

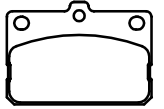
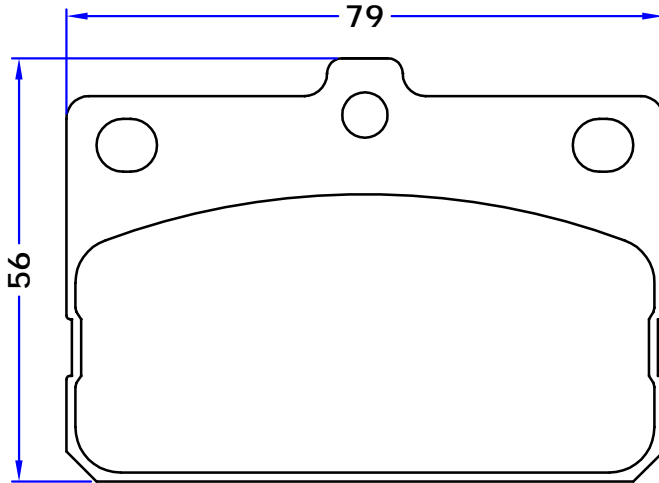
BRAKE PADS

PL 20302

WVA No. : 20302

THK : 14.7 mm

DODGE - TOYOTA



SUMITOMO



4 PIECES

[WWW.PARSLENT.COM](http://WWW.PARSLENT.COM)