



# PARS LENT

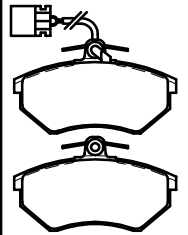
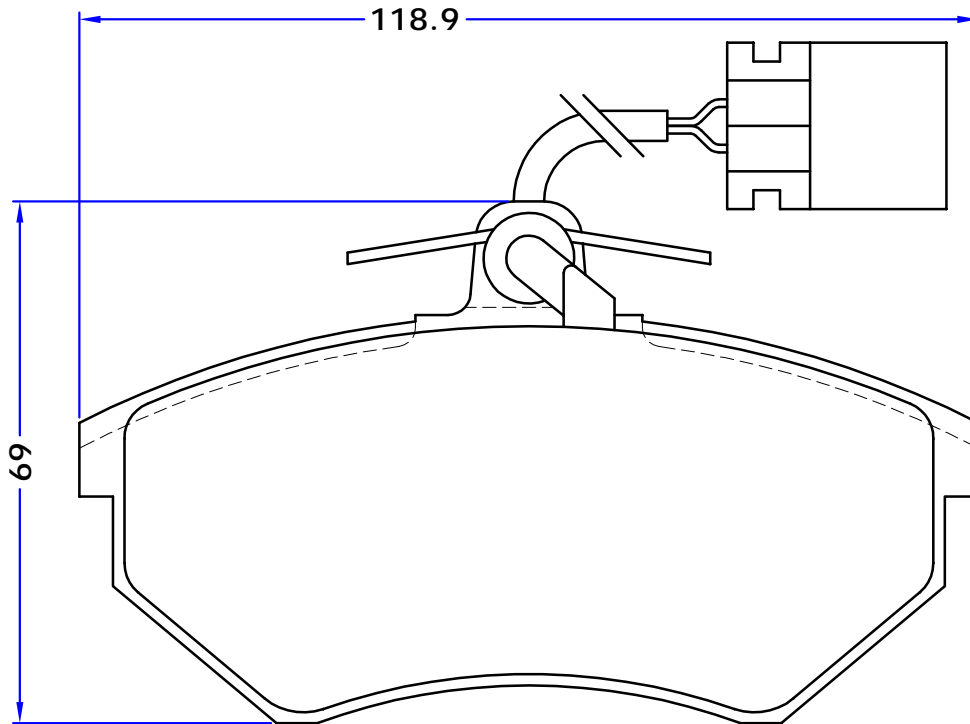
BRAKE PADS

**PL 20168-2**

WVA No. : 20168 & 21366

THK : 19.5 mm

**VOLKSWAGEN** (GOLF III (1H1), 08/91 - 07/98, GOLF Mk III (1H1), 08/91 - 07/98  
VENTO (1H2), 11/91 - 09/98, , JETTA III (1H2), VENTO (1H2), VENTO (1H2), 11/91 - 09/98)



LUCAS



**OE REF:**

**AUDI**

357698151C

357698151F

**SEAT**

357698151C

357698151F

**SKODA**

357698151C

357698151F

**VOLKSWAGEN**

357698151C

357698151F

- 1 PIECE WITH WEAR INDICATOR WIRE
- 3 PIECES WITHOUT WEAR INDICATOR WIRE

[WWW.PARSLENT.COM](http://WWW.PARSLENT.COM)