



PARS LENT

BRAKE PADS

PL 20166

WVA No. : 20166

THK : 16 mm

LADA

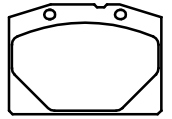
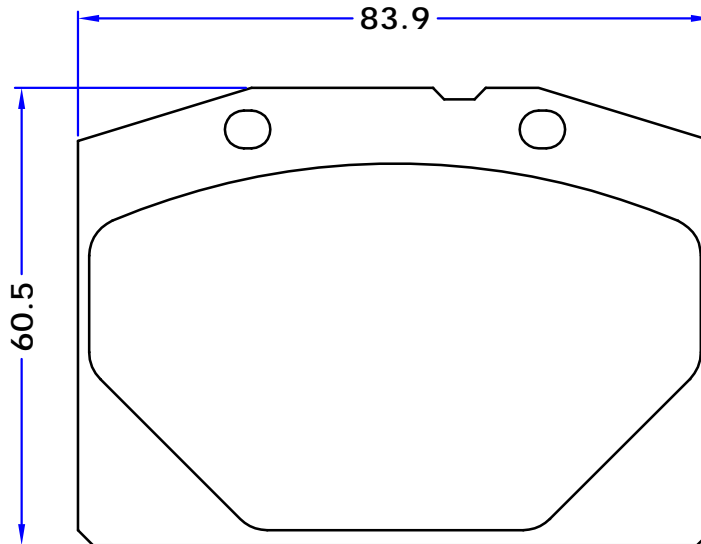
1200-1500 Estate, 09/73 - 06/85

1200-1600, 01/70 - 02/93

RIVA (2105), 05/81 -

RIVA Estate (2104), 09/85 -

TOSCANA (2107), 09/83 -



BENDIX



OE REF:

FIAT

4208932

LADA

21013501089

21013501090

2101350109001

210135011090

21013501210A

4 PIECES

WWW.PARSLENT.COM