



# PARS LENT

BRAKE PADS

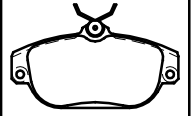
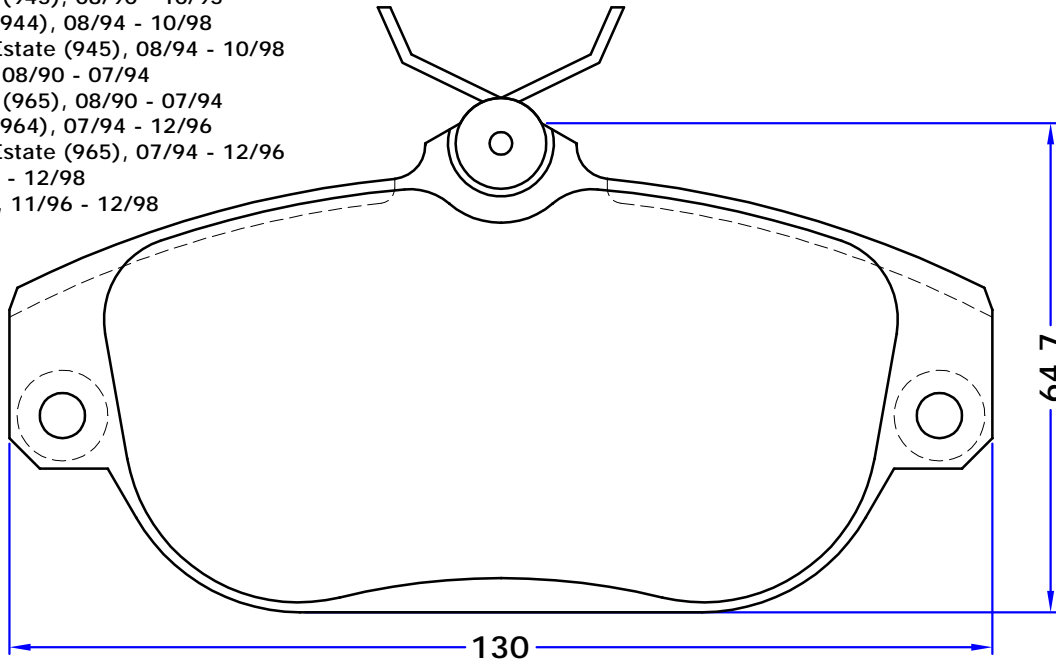
**PL 20164**

WVA No. : 20164

THK : 17.5 mm

**VOLVO**

- 740 (744), 04/83 - 08/92
- 740 Kombi (745), 08/84 - 08/92
- 760 (704, 764), 08/81 - 07/92
- 760 Kombi (704, 765), 01/82 - 07/92
- 940 (944), 08/90 - 12/94
- 940 Kombi (945), 08/90 - 10/95
- 940 Mk II (944), 08/94 - 10/98
- 940 Mk II Estate (945), 08/94 - 10/98
- 960 (964), 08/90 - 07/94
- 960 Kombi (965), 08/90 - 07/94
- 960 Mk II (964), 07/94 - 12/96
- 960 Mk II Estate (965), 07/94 - 12/96
- S90, 11/96 - 12/98
- V90 Estate, 11/96 - 12/98



LUCAS



**OE REF:**

**VOLVO**

- 271349
- 2713493
- 2713498
- 271737
- 2717379
- 271979
- 31261183
- 31302996
- 3516916

[WWW.PARSLENT.COM](http://WWW.PARSLENT.COM)