



PARS LENT

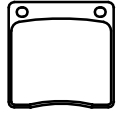
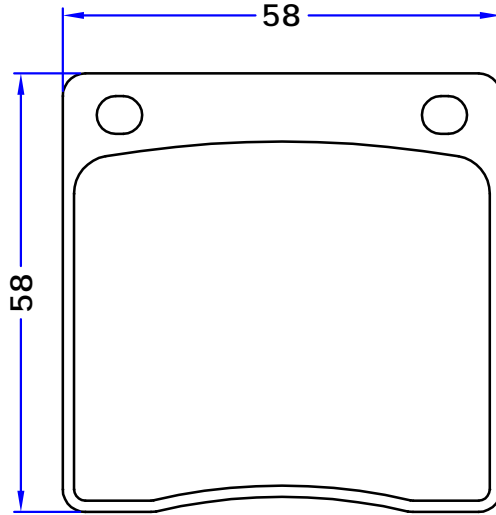
BRAKE PADS

PL 20128

WVA No. : 20128

THK : 14.7 mm

HONDA - NISSAN



GIRLING



4 PIECES

WWW.PARSLENT.COM